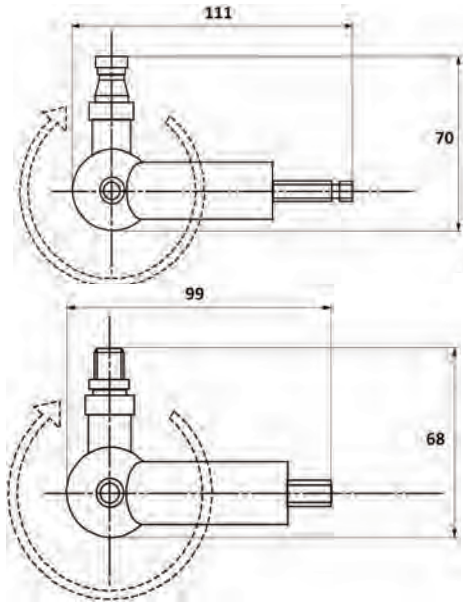
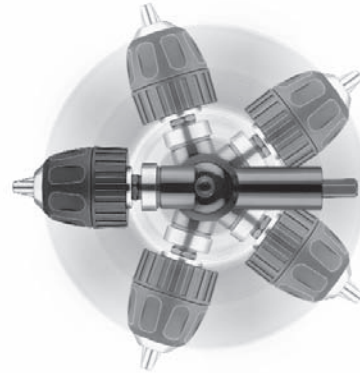


360° right angle drill attachment

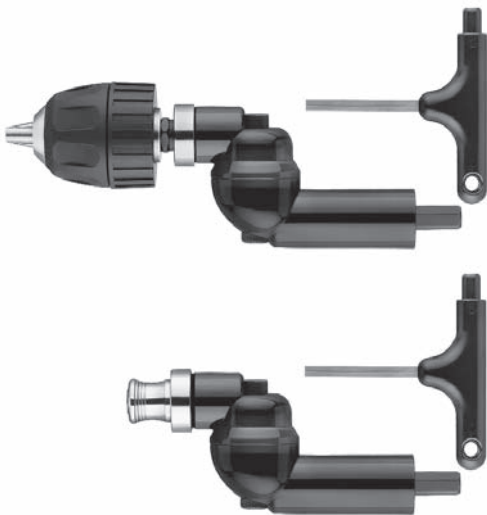


- This right angle drill attachment with a 360° full rotation enables drilling of holes and screwdriving where no other conventional drill will fit.
- It can be fitted on all standard power tools and screwdrivers.
- A T Key wrench available in the package can lock the tool at the desired angle.



ON DRILLING POWER TOOLS

- max. speed: 3500 rpm
- max torque: 35 Nm



DRILLING HOLES

Mod. **RADA360CL**
With a keyless chuck mod. LD10F38R
cap. 1.5-10 mm

Packaging style: individual box
Weight g: 465

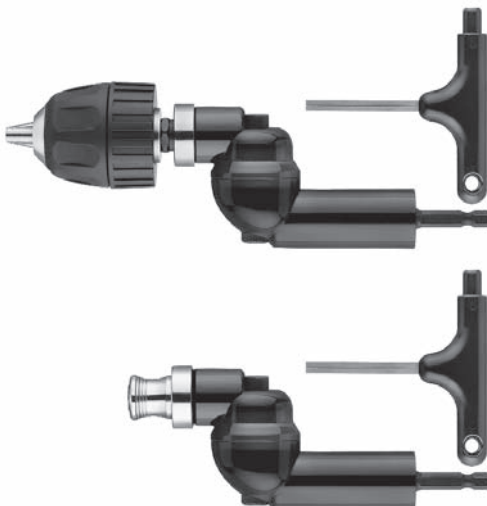
SCREWDRIVING

Mod. **RADAQ360**
With a quick change chuck for bits

Packaging style: individual box
Weight g: 301

ON SCREWDRIVERS

- max. speed: 3500 rpm
- max torque: 35 Nm



DRILLING HOLES

Mod. **RDAV360CL**
With a keyless chuck mod. LD10F38R
cap. 1.5-10 mm

Packaging style: individual box
Weight g: 465

SCREWDRIVING

Mod. **RADAQV360**
With a quick change chuck for bits

Packaging style: individual box
Weight g: 301