


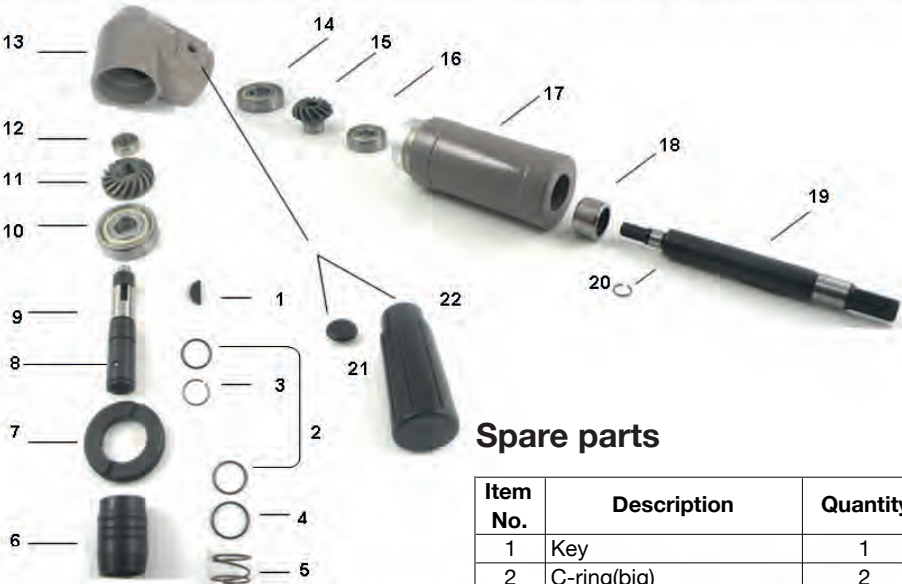
Model No.	Packaging style	Weight g
RADAQXPRO	Individual box	689

Heavy duty Professional RADA with quick release bit holder (9H) and handle.
 MAX Torque 100 N.m.
 Gear Ratio: 1:1.28
 Code: RADAQXPRO



Model No.	Packaging style	Weight g
RADAPRO	Individual box	670

Heavy duty Professional RADA with 3/8" x 24 threaded head to fasten a chuck and handle.
 MAX Torque 100 N.m.
 Gear Ratio: 1:1.28
 Code: RADAPRO



Spare parts

Item No.	Description	Quantity	Item No.	Description	Quantity
1	Key	1	12	Bearing	1
2	C-ring(big)	2	13	Angle Head	1
3	C-ring(mid)	1	14	Bearing	1
4	Washer	1	15	Gear	1
5	Spring	1	16	Bearing	1
6	Shell of quick release	1	17	Body With Bushing	1
7	Bearing Cap	1	18	Bearing	1
8	Ball	2	19	Clutch Pin	1
9	Chuck Casing	1	20	C-ring(small)	1
10	Bearing	1	21	Dust plug	3
11	Gear	1	22	Handle	1